

TLP 710CV

7" CABLE CUBBY®
TOUCHLINK™ TOUCHPANEL



The Extron TLP 710CV is a fully configurable, 7" Cable Cubby TouchLink Touchpanel with a contemporary thin bezel design that combines AV system control with the convenience of an Extron Cable Cubby® enclosure. It features a tilt-up, full-color, high-resolution touchscreen in an elegant, metal enclosure that can be mounted securely into a tabletop, lectern, or other flat surface.

- ▶ 7" color touchscreen with 800x480 resolution and 18-bit color depth
- ▶ Full motion video display for preview and monitoring using Extron twisted pair technology
- ▶ Power over Ethernet allows the touchpanel to receive power and control over a single CAT 5-type cable, eliminating the need for a local power supply - PoE injector included
- ▶ Built-in speaker provides audio for video preview and audible feedback from button presses
- ▶ Light sensor adjusts screen brightness as the ambient room lighting changes
- ▶ Cable Cubby design offers easy access to AV, data, and power connections:
 - Holds up to 6 AV cable retractor assemblies
 - Holds up to 11 single-space AAP - Architectural Adapter Plates
- ▶ AC power modules available for US, Europe, and other major world markets
- ▶ Integrated lid switch automatically wakes the touchpanel when opened and can trigger any other system function
- ▶ Convenient LED lighting illuminates power and AV Cable Cubby area
- ▶ Compatible with all IP Link® control processors
- ▶ Fully configurable using Extron's GUI Configurator and Global Configurator with ready-to-use templates
- ▶ Supports TouchLink for iPad and TouchLink for Web as a convenient, additional point of control



Extron® Electronics
INTERFACING, SWITCHING AND CONTROL

DESCRIPTION

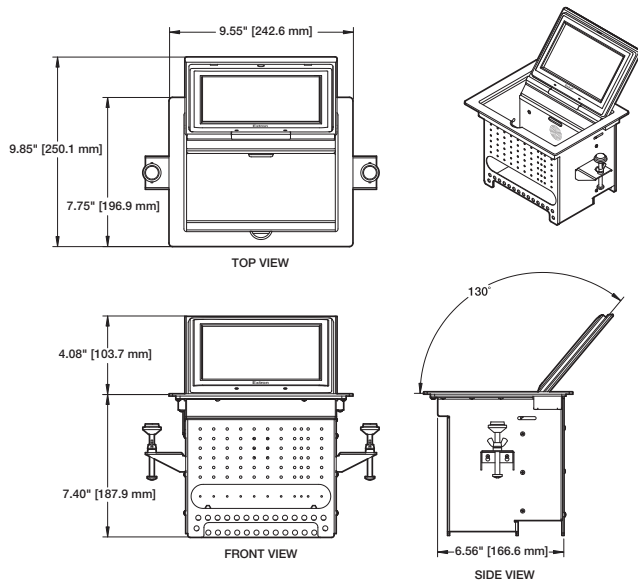
The **TLP 710CV** combines AV system control with cable management and easy access to AV connectivity, data, and power. It offers several key features that streamline integration and enhance the user experience. An integrated MTP twisted pair receiver, accepts S-video or composite video and audio input signals over a single CAT 5-type cable. Power over Ethernet - PoE allows the touchpanel to receive power and control over an additional CAT 5-type cable, eliminating the need for a local power supply.

The TLP 710CV works in conjunction with any Extron IP Link® control processor and is designed for use in AV system applications that require complete, interactive control of conferencing systems, displays, switchers, and source devices. GUI Configurator software makes configuration of the touchpanel easy, without the need for any third-party design software.

KEY FEATURES

- ▶ 7" color touchscreen with 800x480 resolution and 18-bit color depth
- ▶ Full motion video display for preview and monitoring using Extron twisted pair technology
- ▶ Power over Ethernet allows the touchpanel to receive power and control over a single CAT 5-type cable, eliminating the need for a local power supply - PoE injector included
- ▶ Cable Cubby design offers easy access to AV, data, and power connections

PANEL DRAWINGS



SPECIFICATIONS

DISPLAY		
Screen type	Active matrix TFT color display	
Size	7" (17.8 cm), measured diagonally	
Resolution	800x480	
Aspect ratio	Widescreen	
Color depth	18 bit, 256k colors	
MEMORY		
SDRAM	128 MB for graphics processing 8 MB for system use	
Flash	32 MB for project storage 16 MB for system use	
CONTROL – ETHERNET INTERFACE		
Ethernet control/communications port	1 RJ-45 female connector	
Ethernet data rate	10/100Base-T, half/full duplex with autodetect	
VIDEO INPUT		
See S-video or composite video MTP transmitters or TLP VIM specifications		
Number/signal type	1 S-video or composite video, as part of a set of proprietary signals	
AUDIO INPUT		
See S-video or composite video MTP transmitters or TLP VIM specifications		
Number/signal type	1 stereo, balanced/unbalanced, line level, as part of a set of proprietary signals	
AUDIO OUTPUT		
Speaker output	1 mono, 86 dB SPL, 0.1 watt, 0.1 m, half space	
GENERAL		
Power supply	External: Input: 100-240 VAC, 50-60 Hz Output: PoE 802.3af compliant, 48 VDC, 0.35 A, 16.8 watts	
Temperature/humidity	Storage: -40 to +158 °F (-40 to +70 °C) / 10% to 90%, noncondensing Operating: +32 to +122 °F (0 to +50 °C) / 10% to 90%, noncondensing	
Mounting	Furniture mount With included hardware	
Enclosure dimensions	Top plate (outer rim) 9.55" W x 7.75" D (24.26 cm W x 19.69 cm D)	
Product weight	5.8 lbs (2.6 kg)	
Regulatory compliance	Safety CE, c-UL, UL EMV/EMC CE, C-tick, FCC Class A, ICES, VCCI Environmental Complies with the applicable requirements of RoHS and WEEE.	
MTBF	30,000 hours	
Warranty	3 years parts and labor; touchpanel display and overlay components are covered for 1 year	
Model	Version Description	Part number
TLP 710CV	Two US AC - Black Anodized	60-1175-020A
TLP 710CV	No AC - Black Anodized	60-1175-0200
TLP 710CV	No AC - Brushed Aluminum	60-1175-0210

For complete specifications, please go to www.extron.com
Specifications are subject to change without notice.

Worldwide Sales Offices

Anaheim, CA • Raleigh, NC • Dallas, TX • Washington, DC • London • Paris • Amersfoort, NL
Frankfurt • Dubai • Singapore • Seoul • Shanghai • Tokyo • Bangalore

UNITED STATES

+800.633.9876
Inside USA/Canada
+1.714.491.1500

EUROPE

+800.3987.6673
Inside Europe
+31.33.453.4040

ASIA

+800.7339.8766
Inside Asia
+65.6383.4400

MIDDLE EAST

+971.4.2991800