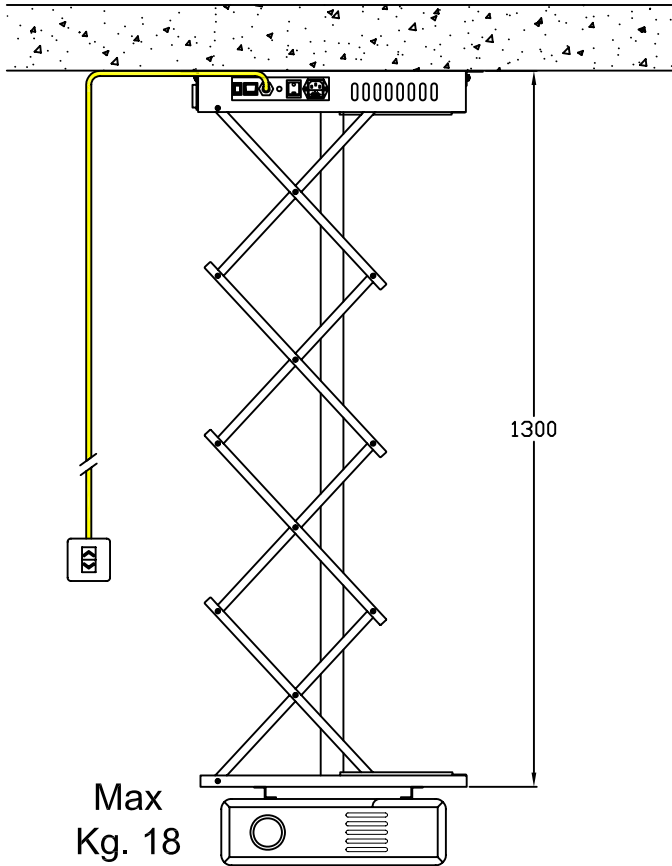
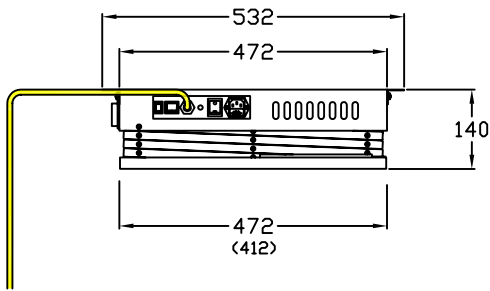


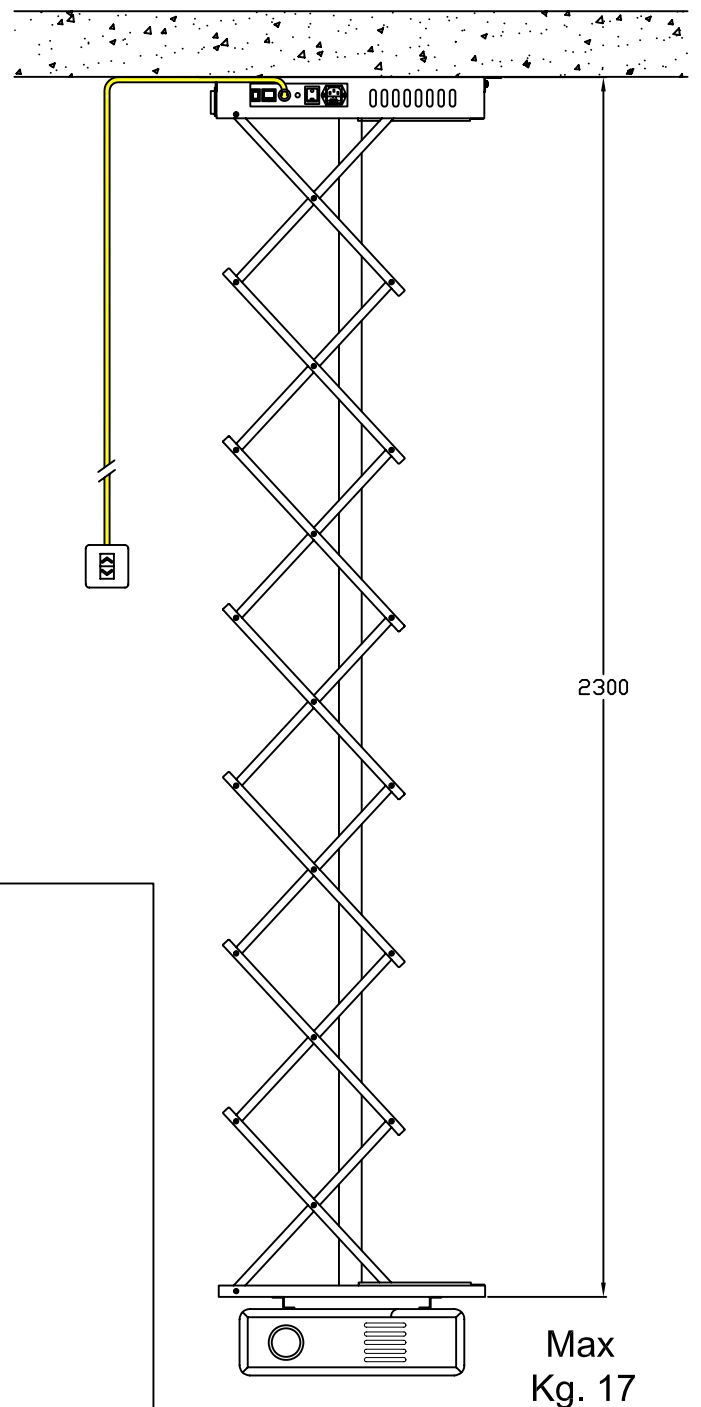
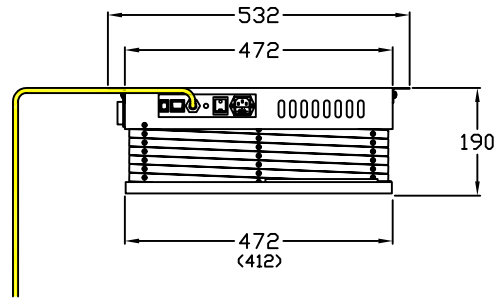
Mounting Instructions

VL120 & VL 230

Mod. VL130



Mod. VL 230



TECHNICAL DATA:

Supply voltage	230V/50Hz
Absorption	110W- 0,47A
Electric panel	4A max
Electronic-stop motor	Becker
Motor protection class	IP44
Max. continuous working	4 min
Motor thermal protection	yes
Overload protection	yes
Cold capacity	kg. 18 mod. SVS130/kg. 17 mod. SVS230
Comands	switch up-down